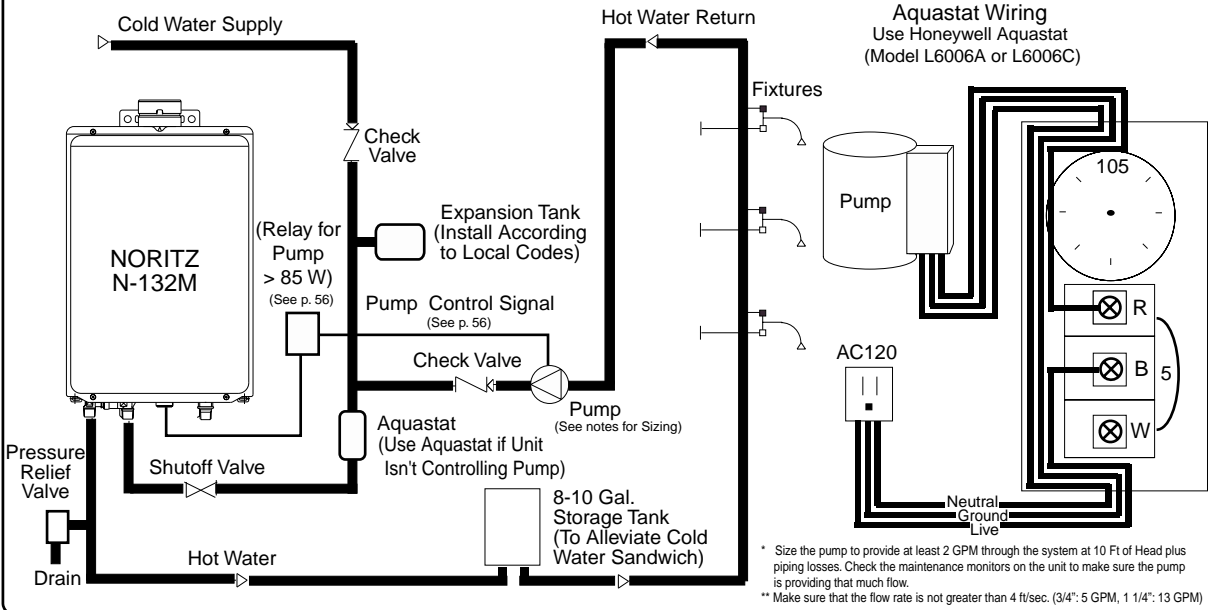
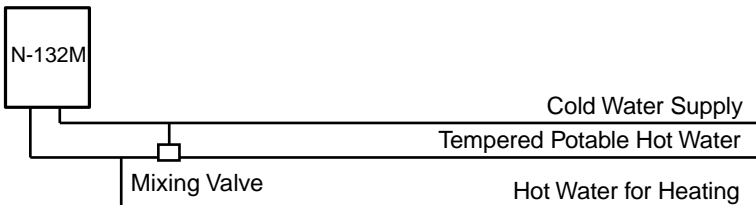
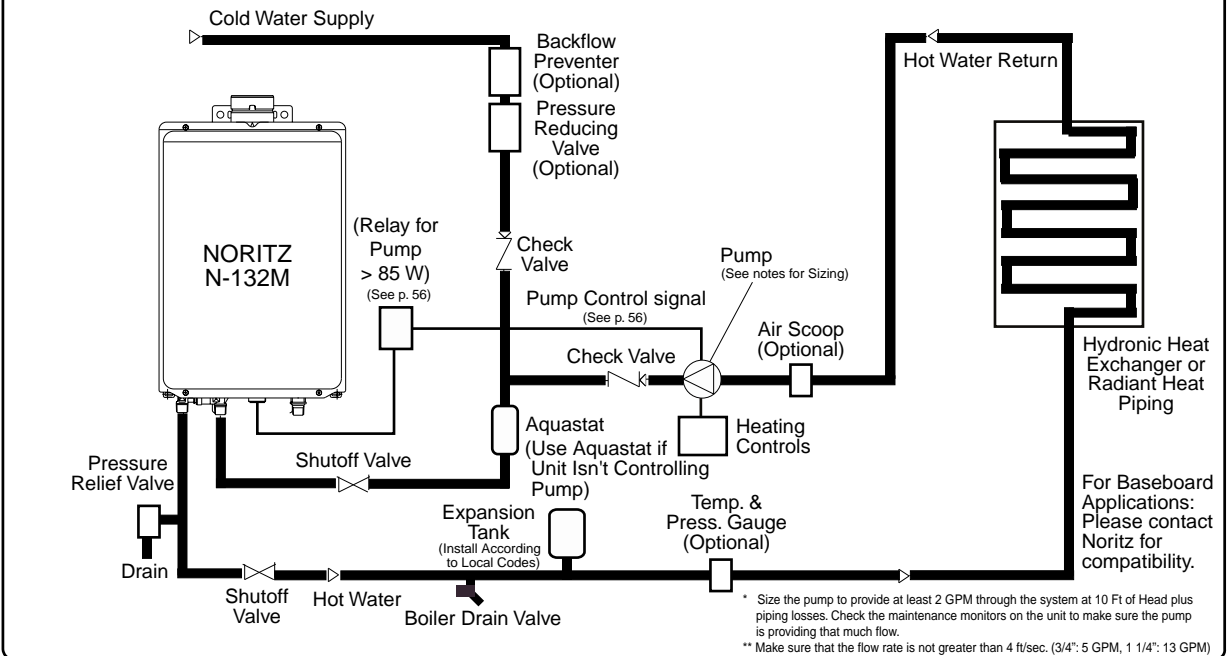


# 11. Plumbing Applications

## Recirculation System



## Heating System



### For Space Heating Purposes:

If the system requires water for space heating at a higher temperature than for other uses, means such as a mixing valve shall be provided to temper the water for the other uses to help prevent scalding.